

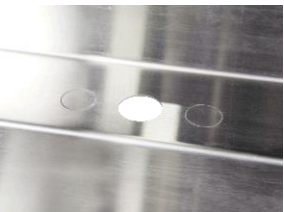
The Essentials

Sink – Utility Tub

Brushed stainless steel sink, argon welding

# Product	Description	Inside dimensions of the tub		
		Width	Length	Height
LAVABOSS	Single	19-½"	19-¼"	12"
LAVABOSSDDI	Double + division	28"	19-¼"	12"
LAVABOSSDOU	Double	28"	19-¼"	12"
ROBINETM	Moen faucet			
ROBINETAUTO	Automatic Moen faucet			

Central faucet hole
and 2 knockout holes



Strainer
included



Sloped bottom



Utility tub (sink)

- Higher industrial quality
- Sustainability
- 3 standard sizes or custom size
- Brushed stainless steel
- Adjustable feet
- Towel holder bar
- Single, double or double divided tub
- Strainer included (2" drain)
- Faucets not included (option)
- Measures overleaf



DOUBLE utility tub
LAVABOSSDOU



SINGLE utility tub
LAVABOSS
Faucet not included



DOUBLE utility tub
with divider
LAVABOSSDDI
Faucet not included

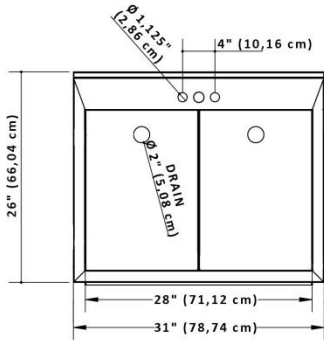
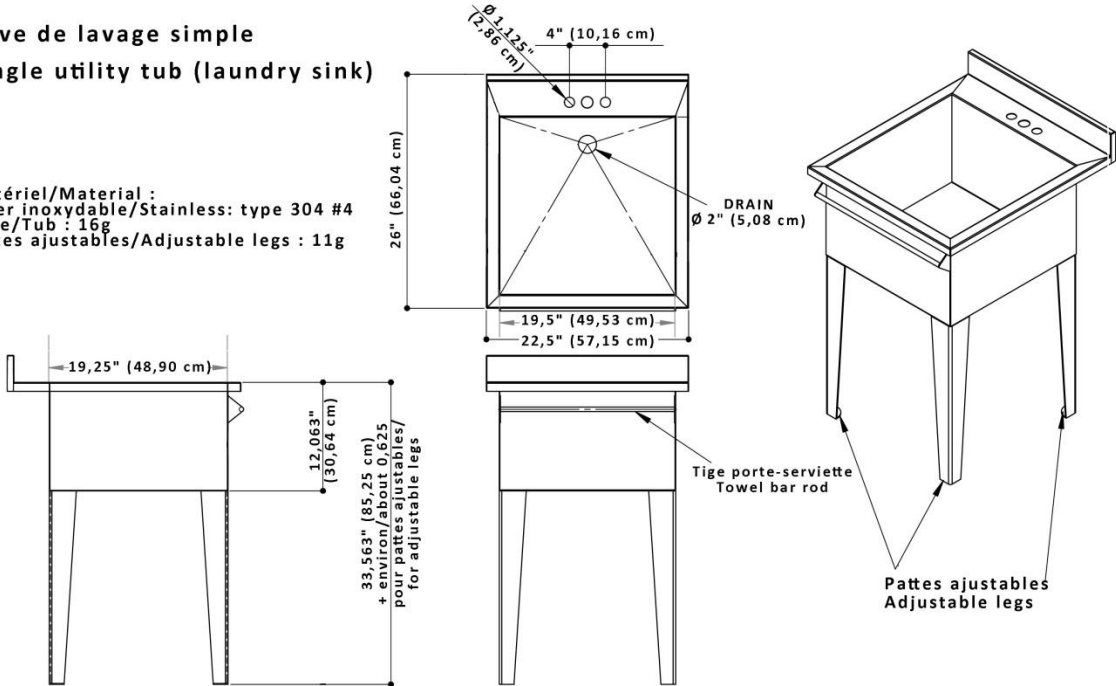
Les indispensables

Measures utility tub
standard sizes



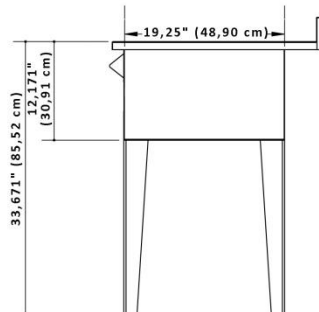
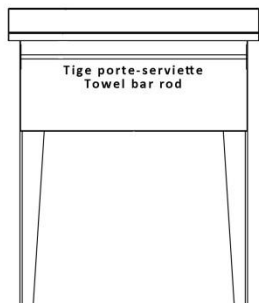
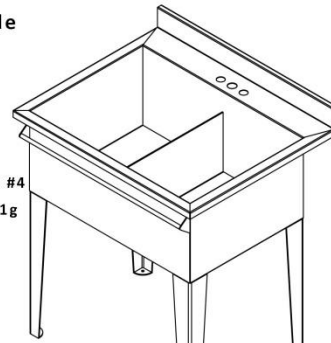
Cuve de lavage simple
Single utility tub (laundry sink)

Matériel/Material :
Acier inoxydable/Stainless: type 304 #4
Cuve/Tub : 16g
Pattes ajustables/Adjustable legs : 11g



Cuve de lavage double
option : division
Double utility sink
(laundry tub)
option: separator

Matériel/Material :
Acier inoxydable/Stainless: type 304 #4
Cuve/Tub : 16g
Pattes ajustables/Adjustable legs : 11g



Cuve de lavage double
option : sans séparateur

Utility sink (laundry tub)
option: without separator

